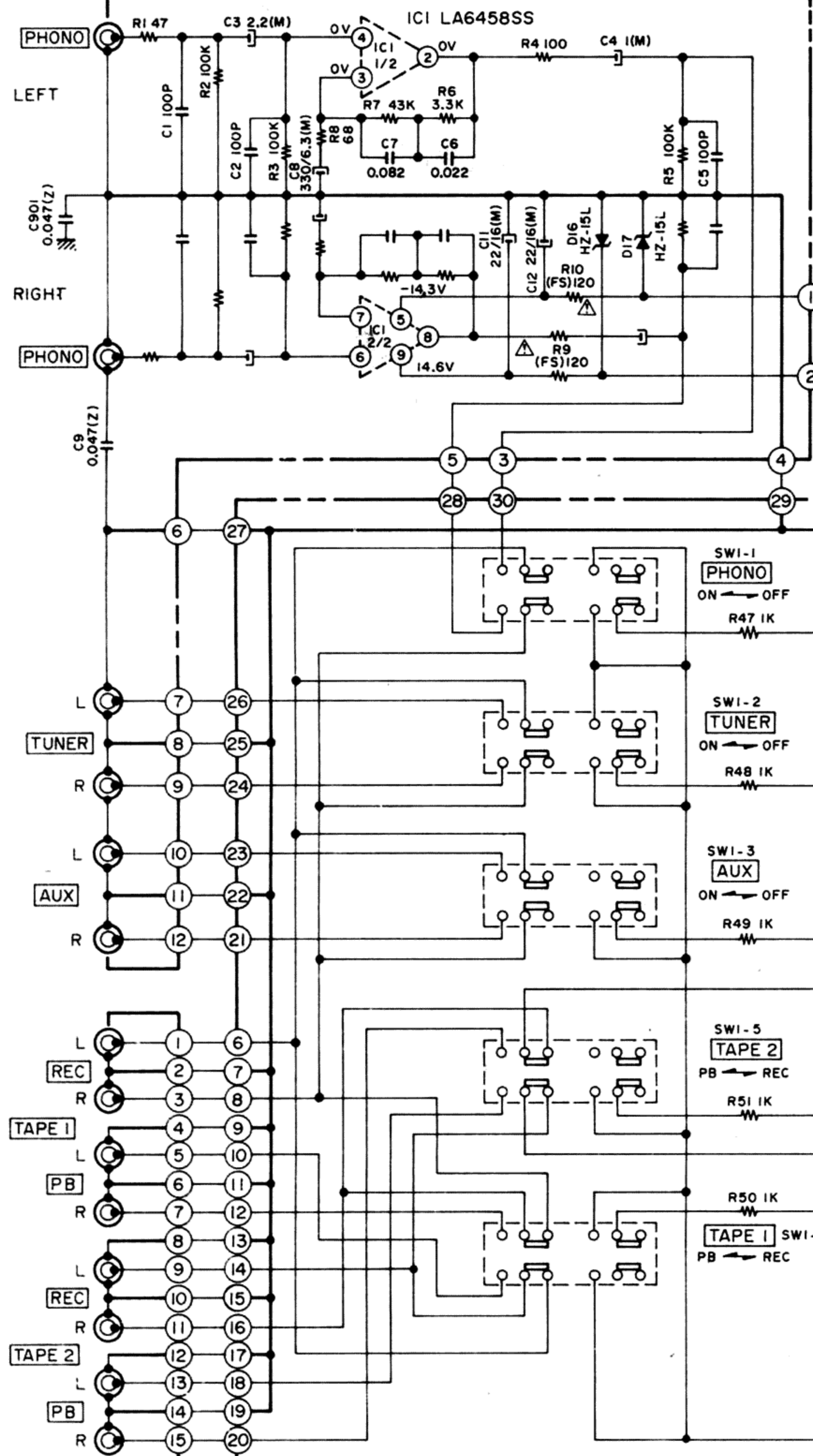


**HiFi ENGINE®**

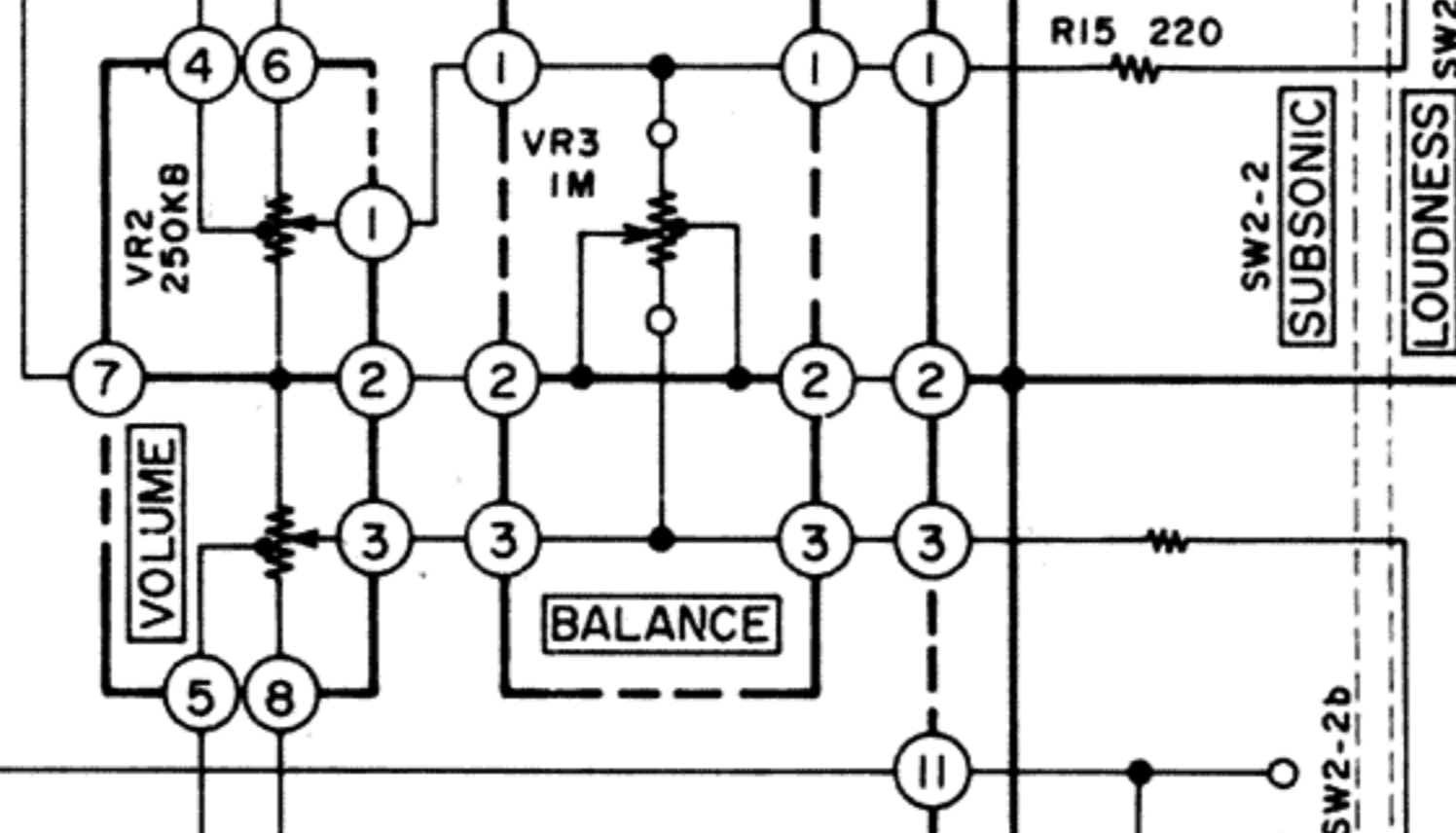
For more Hi-Fi manuals and set-up information  
please visit [www.hifiengine.com](http://www.hifiengine.com)

AM-U310

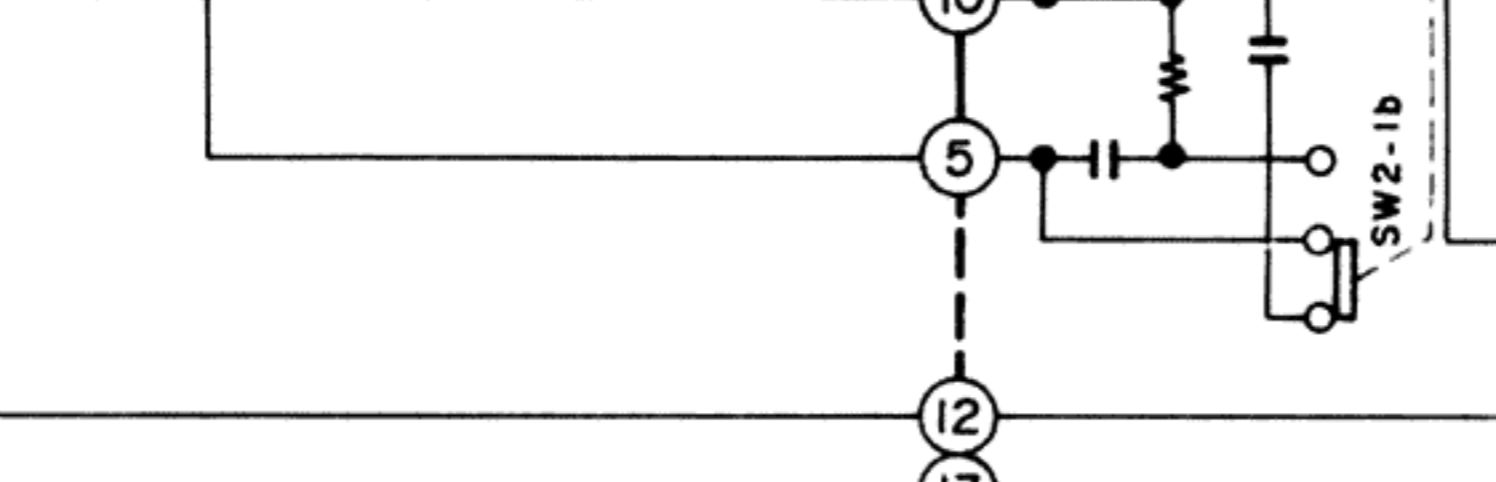
EQUALIZER PCB A2015A501B



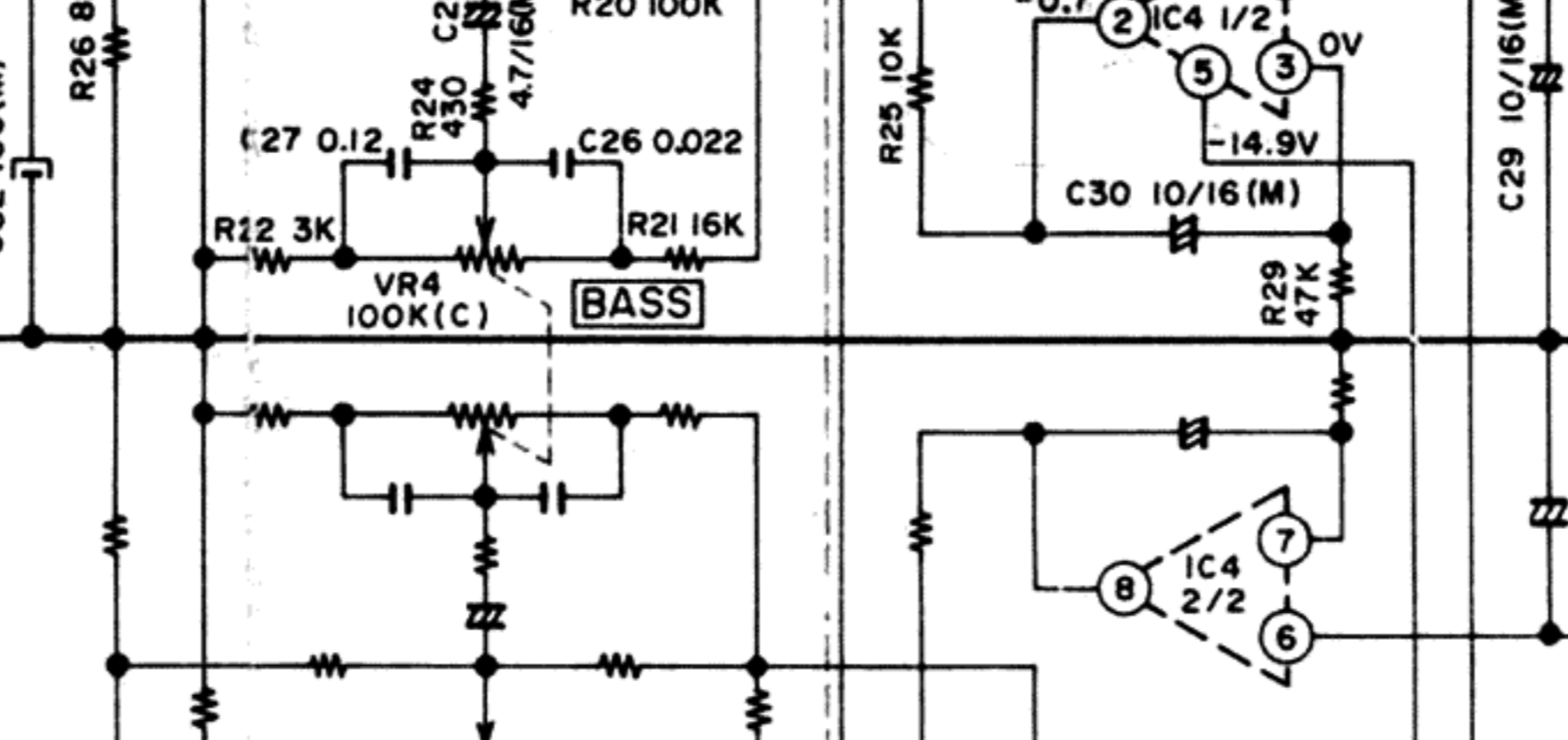
BALANCE PCB A2015A501F



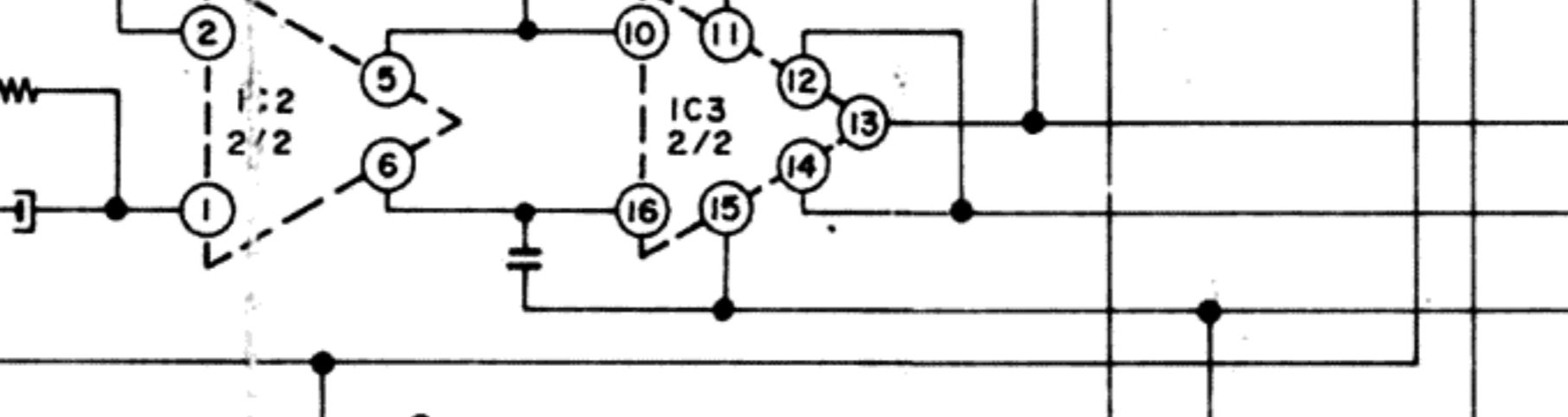
MAIN VOLUME PCB A2015A501E



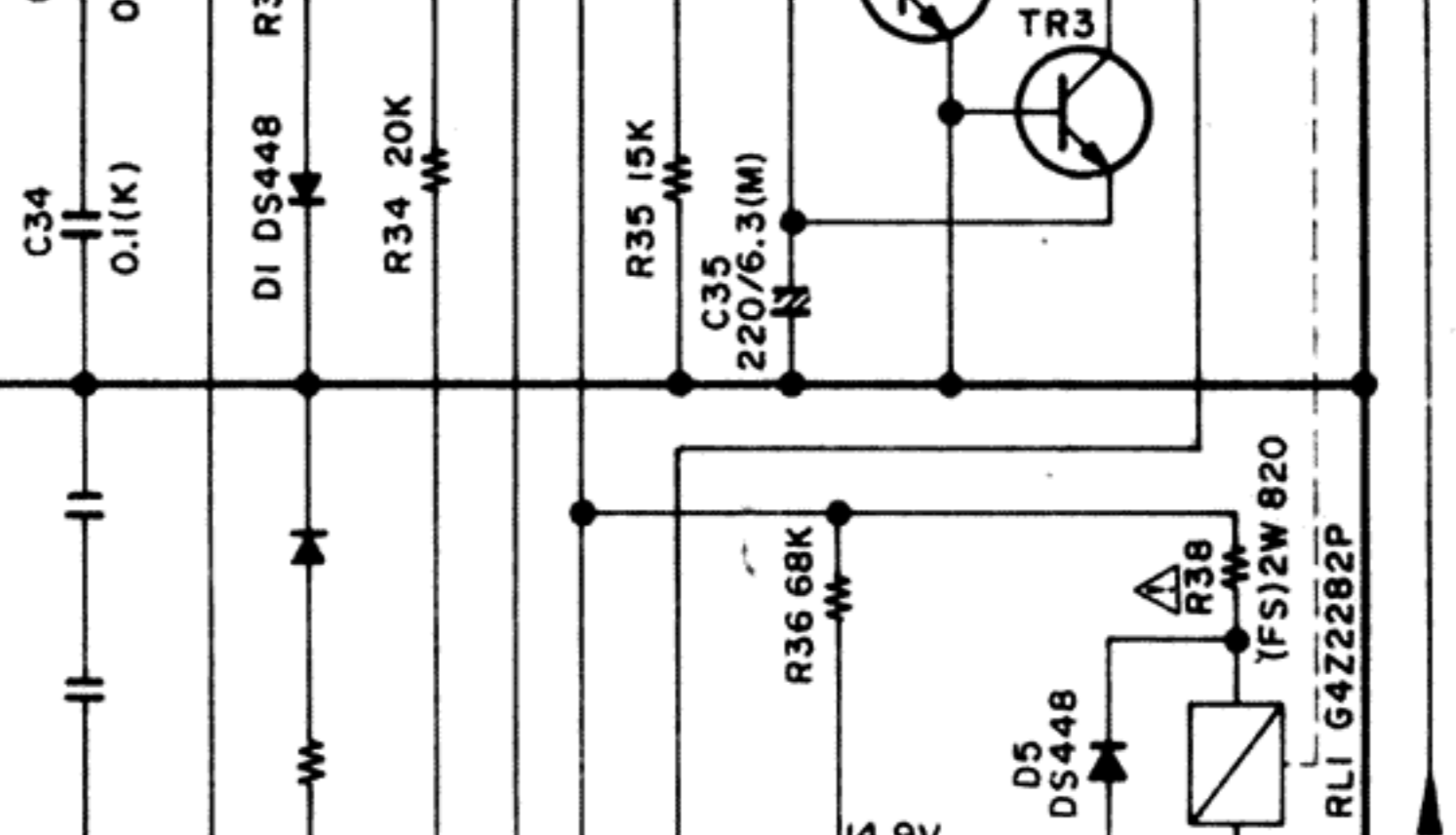
TREBLE



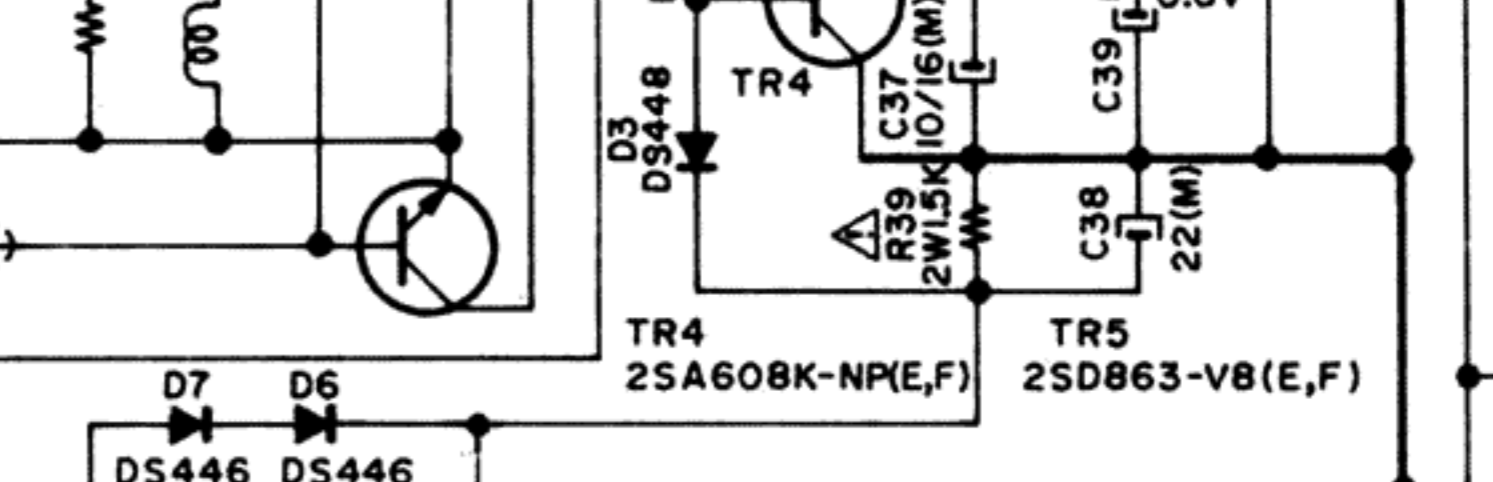
BASS



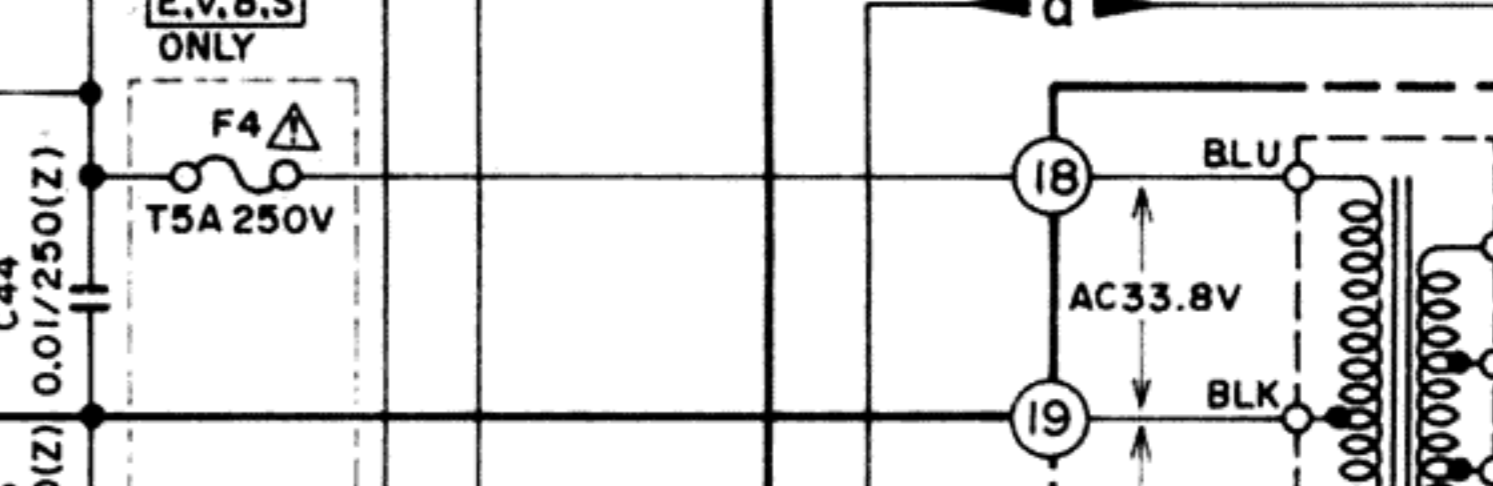
POWER METER SENS



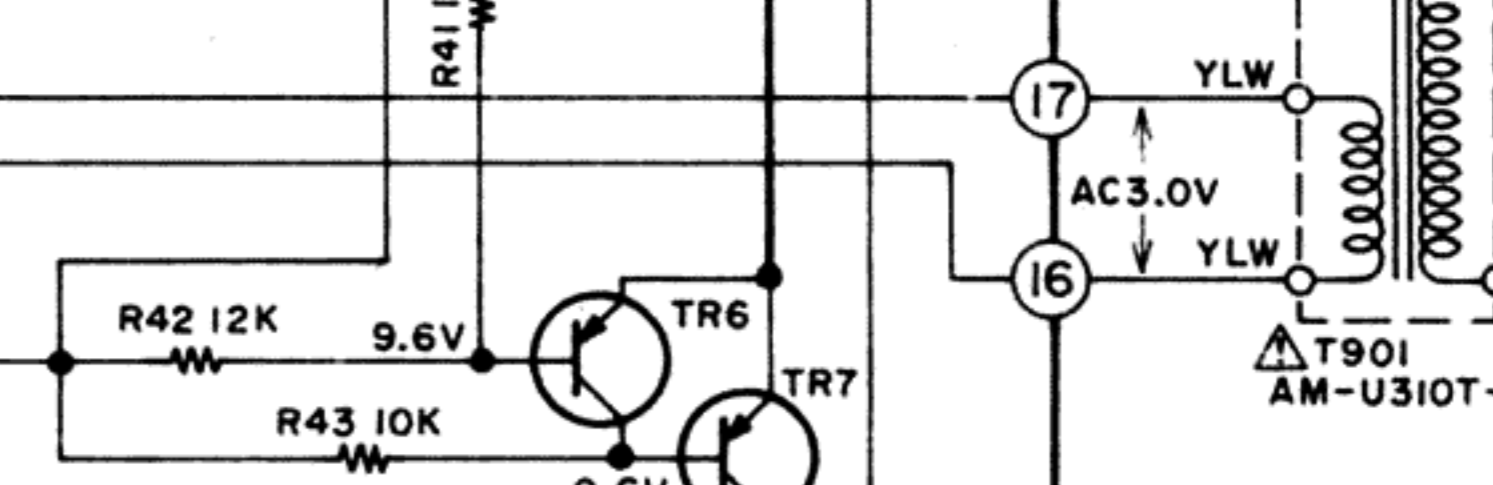
POWER



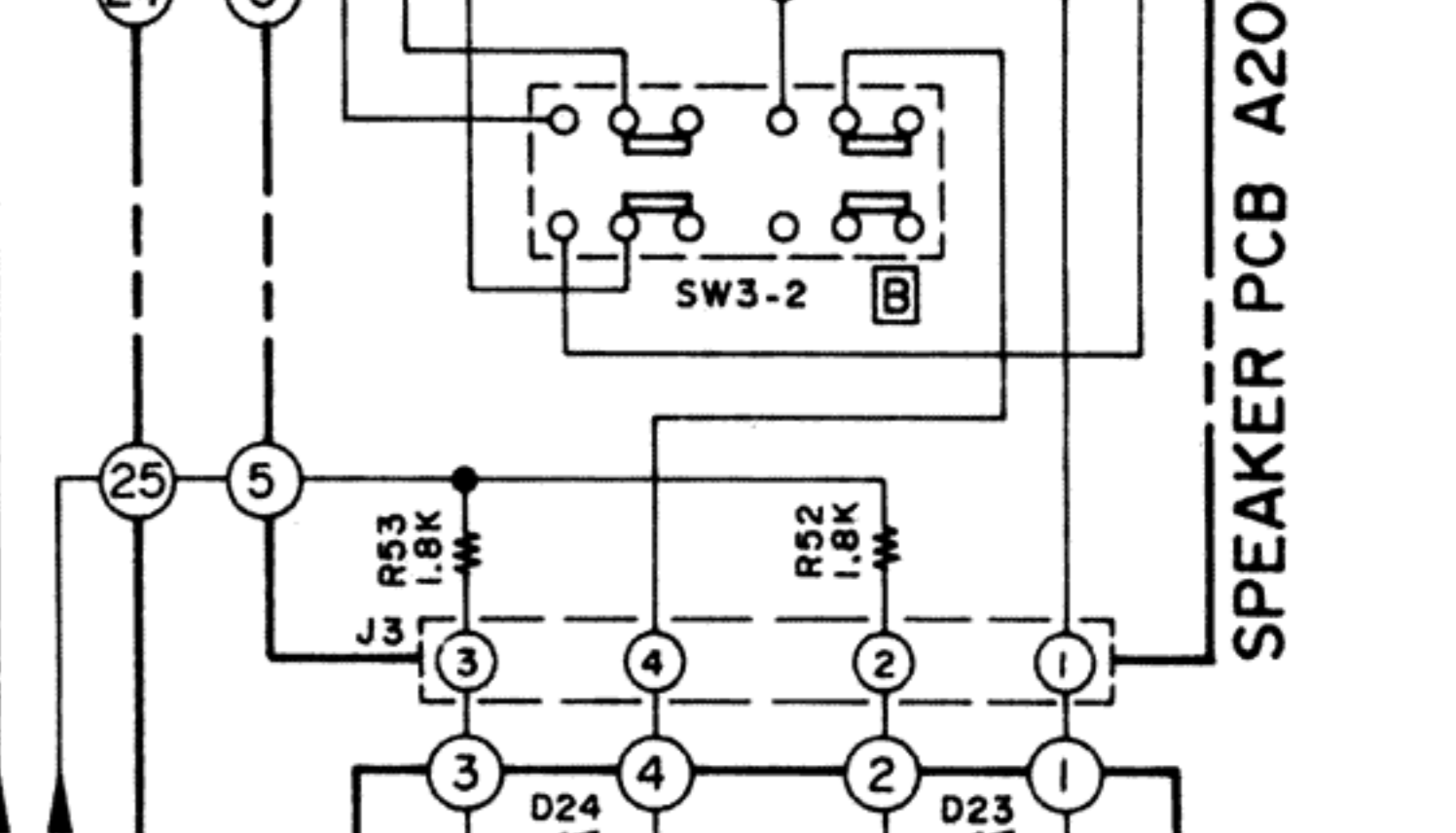
POWER



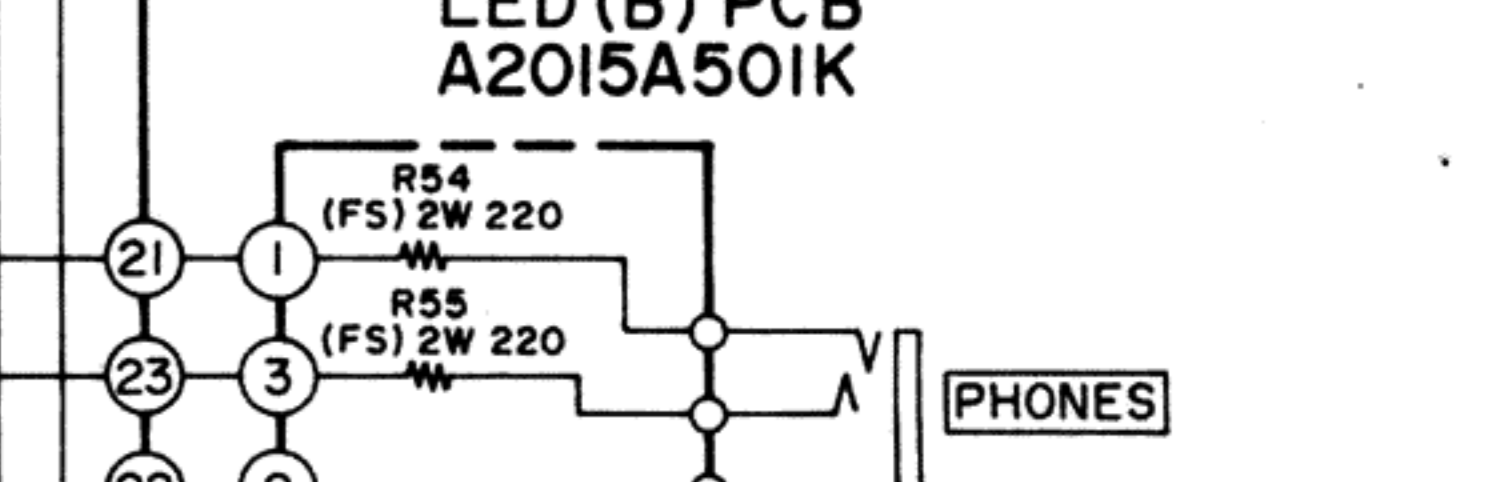
POWER



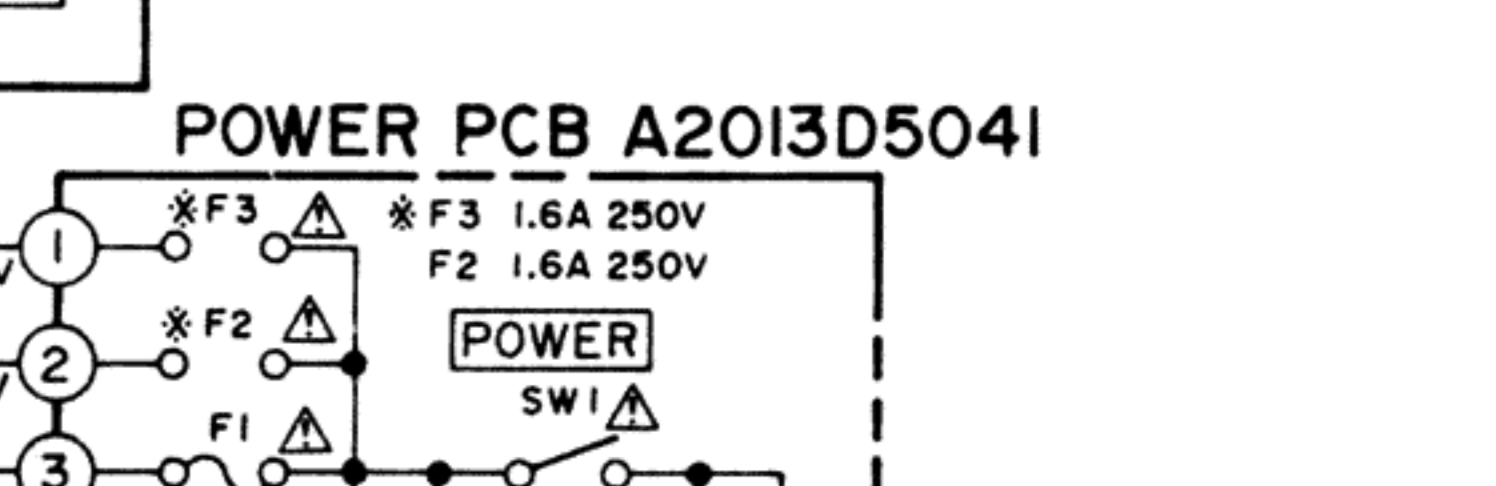
SPEAKER



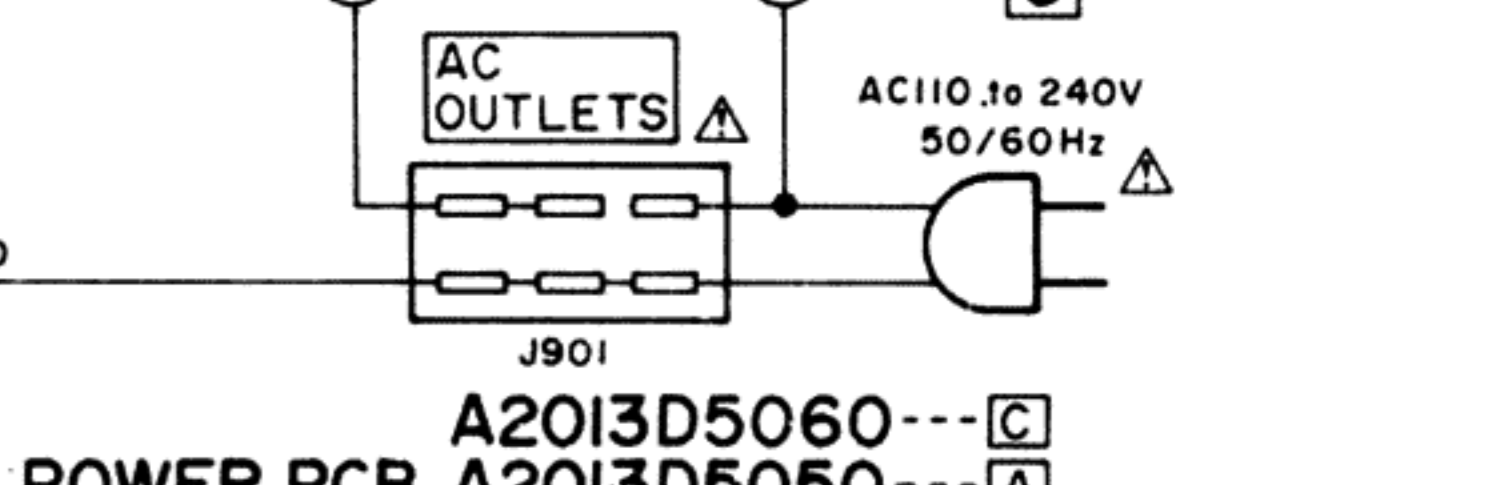
LED (B) PCB A2015A501K



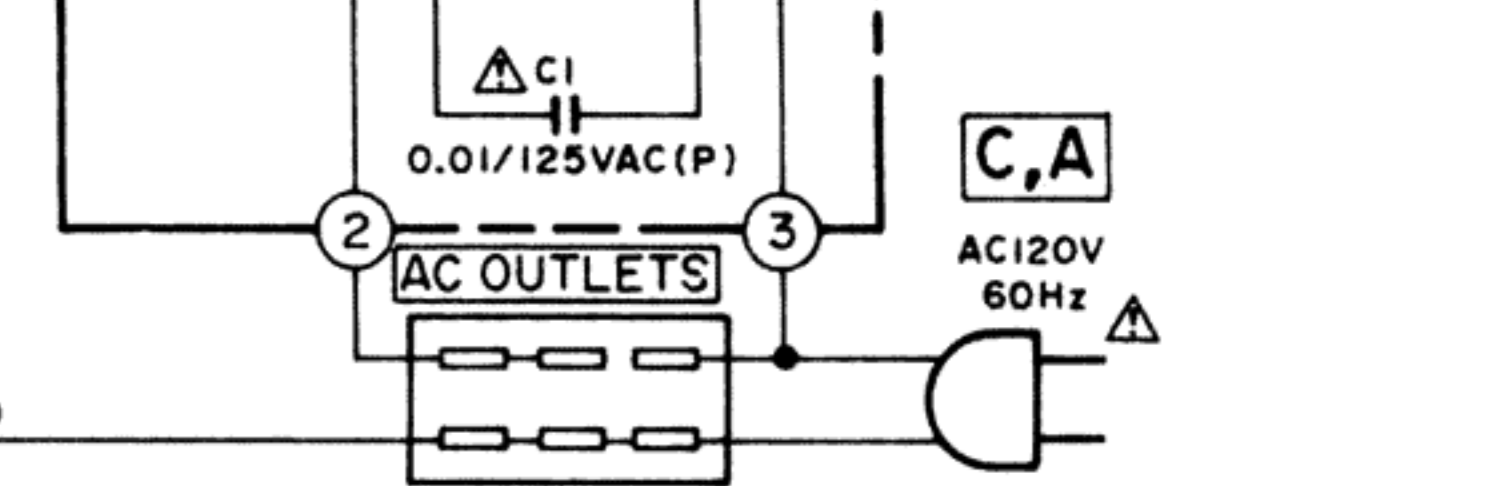
HEAD PHONE PCB A2015A501H



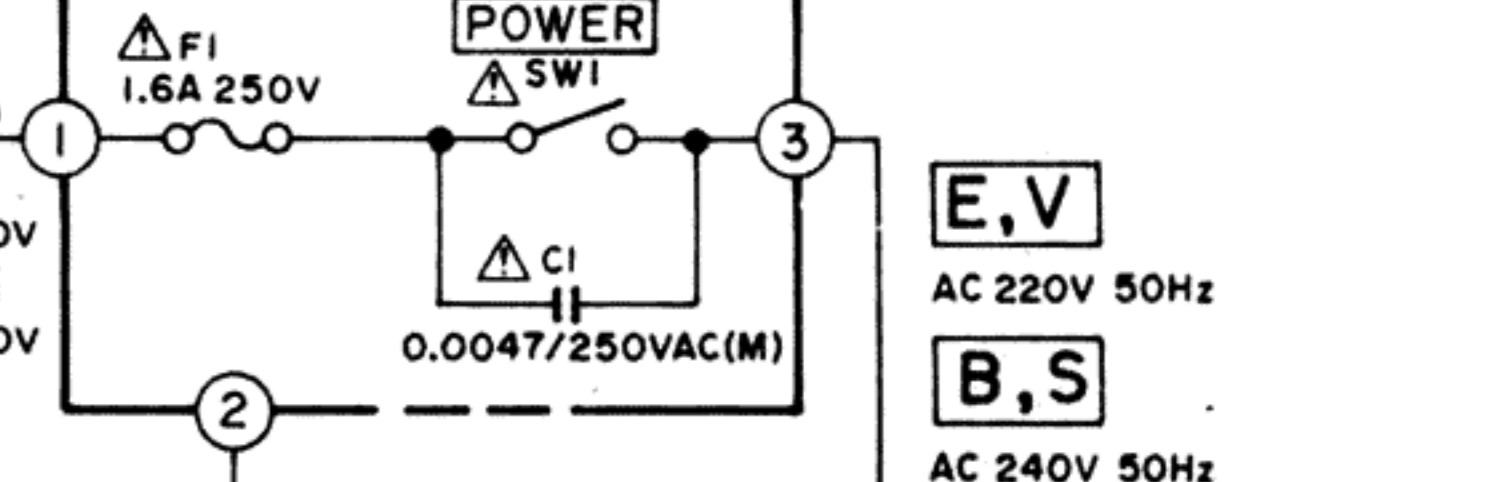
POWER PCB A2013D5041



POWER PCB A2013D5050



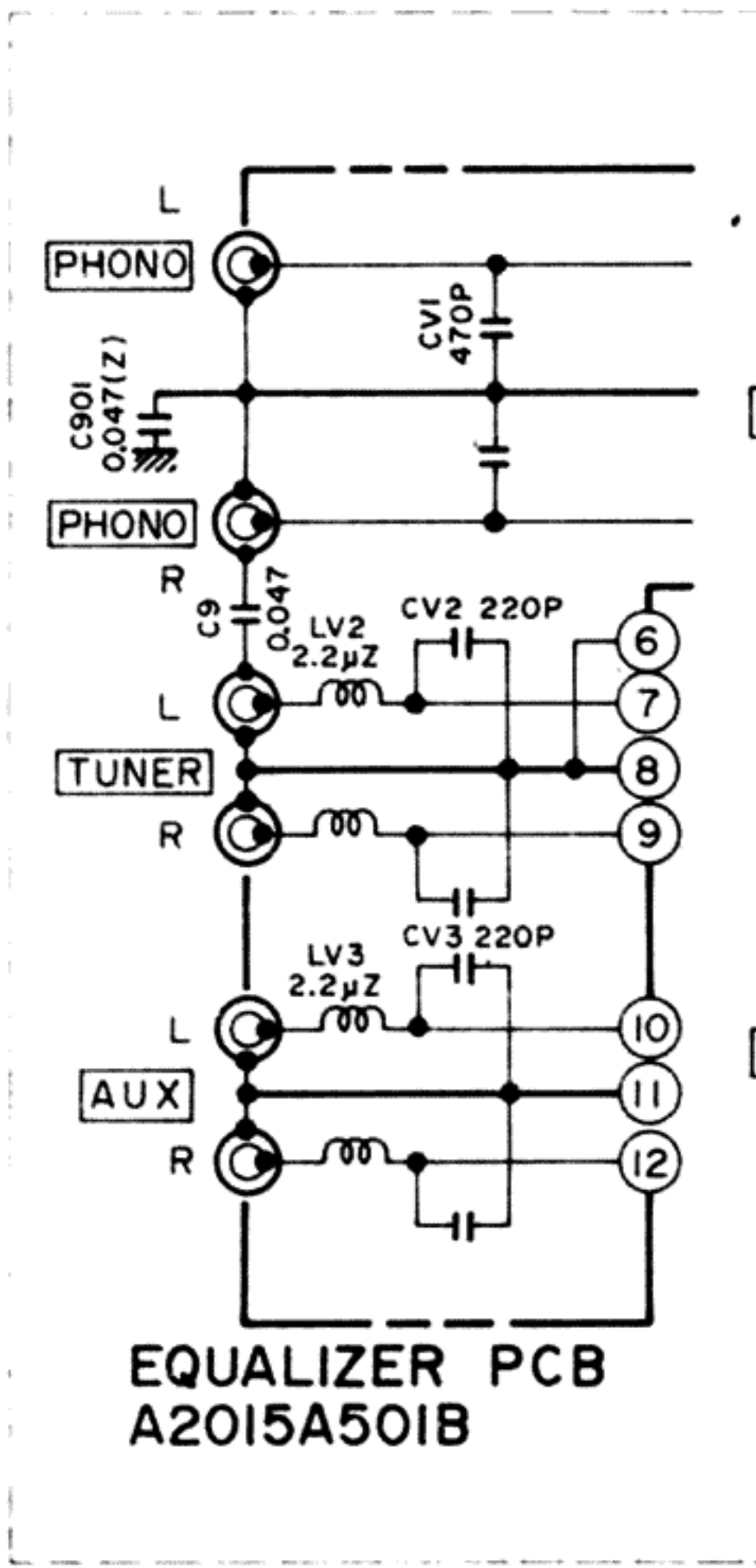
POWER PCB A2013D5071



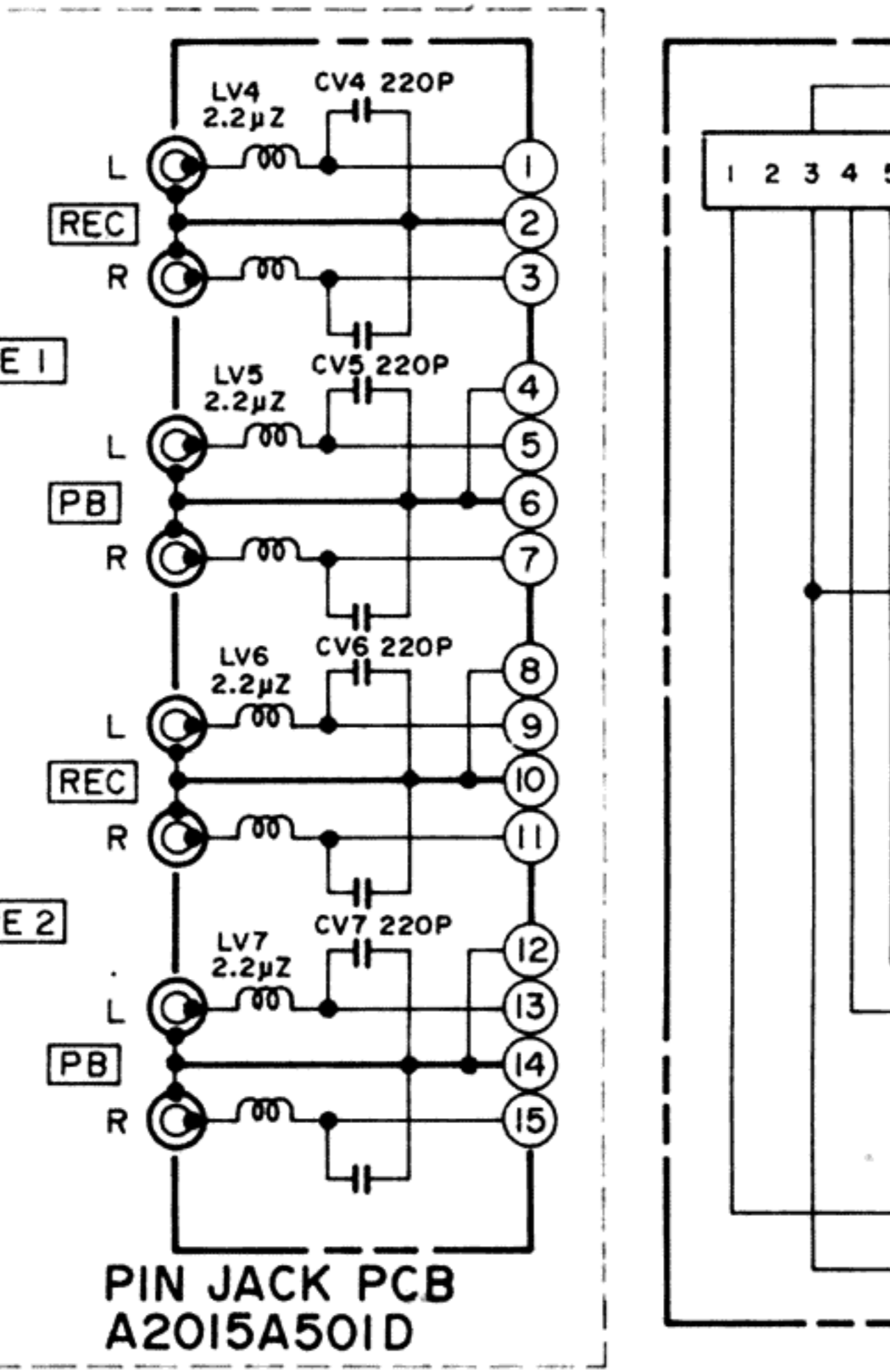
POWER PCB A2013D5060



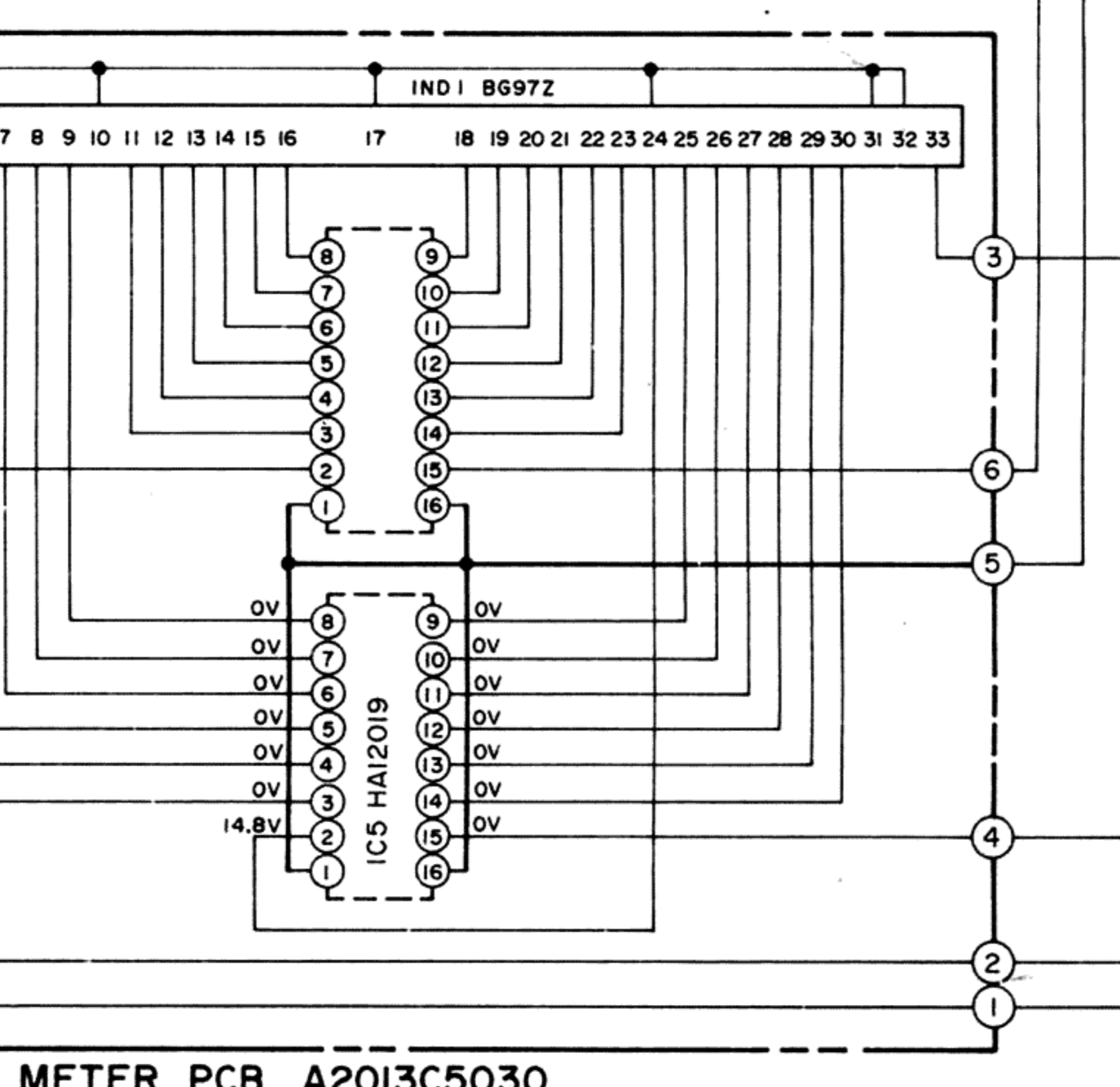
PIN JACK PCB A2015A501D



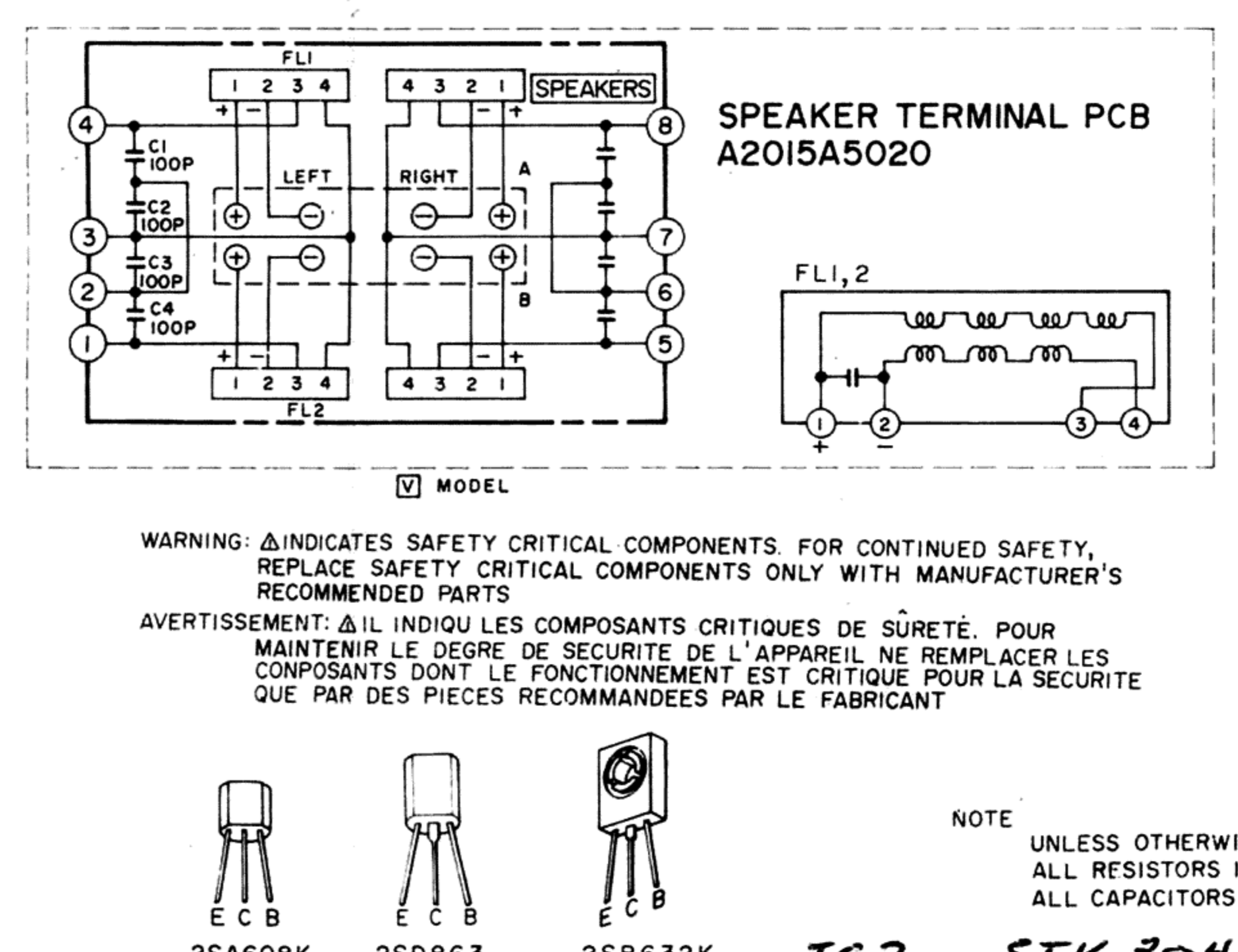
FUNCTION PCB A2015A501C



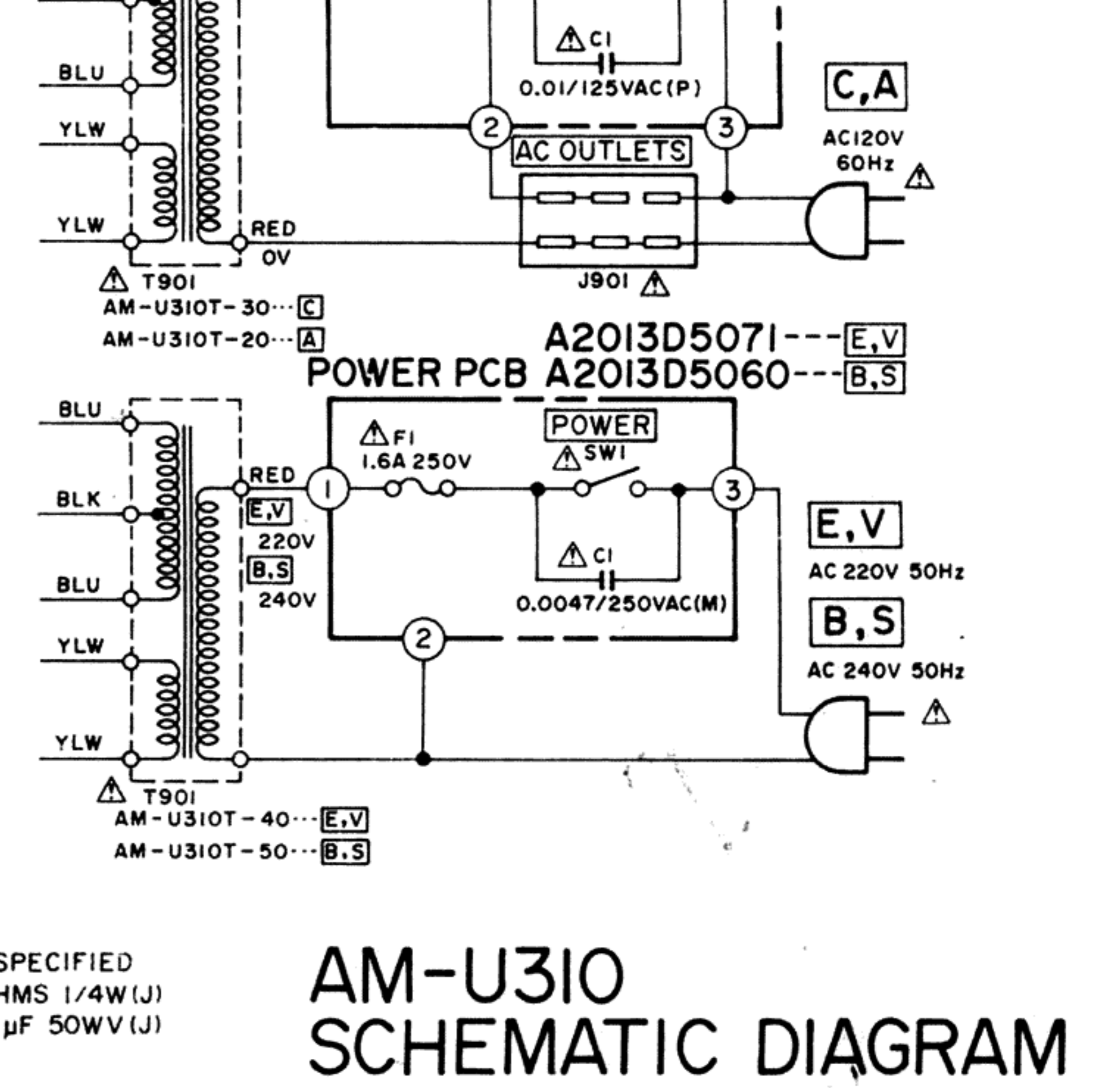
METER PCB A2013C5030



MAIN PCB A2015A501A



SPEAKER TERMINAL PCB A2015A5020



WARNING: Δ INDICATES SAFETY CRITICAL COMPONENTS. FOR CONTINUED SAFETY, REPLACE SAFETY CRITICAL COMPONENTS ONLY WITH MANUFACTURER'S RECOMMENDED PARTS.

AVERTISSEMENT: Δ IL INDIQUÉ LES COMPOSANTS CRITIQUES DE SÛRETÉ. POUR MAINTENIR LE DEGRÉ DE SECURITE DE L'APPAREIL, NE REMPLACER LES COMPOSANTS DONT LE FONCTIONNEMENT EST CRITIQUE POUR LA SECURITE QUE PAR DES PIECES RECOMMANDEES PAR LE FABRICANT.

- ECB 2SA608K
- ECB 2SD863
- ECB 2SB632K
- ECB 2SD612K

NOTE: UNLESS OTHERWISE SPECIFIED, ALL RESISTORS IN OHMS (1/4W(J)), ALL CAPACITORS IN μF (50WV(J)).

IC2 - STK 3042  
IC3 - STK 2250

AM-U310 SCHEMATIC DIAGRAM NO. 1640406A